

DLA ACTIVE SYSTEM

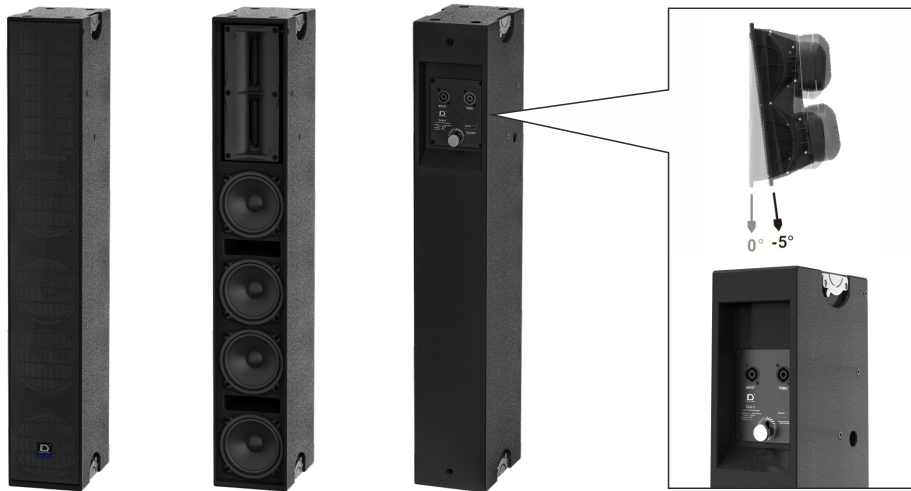
Portable multi-function
DLA-5/DLA212SA

TRANSMIT
OUR SOUND
TO
THE WORLD



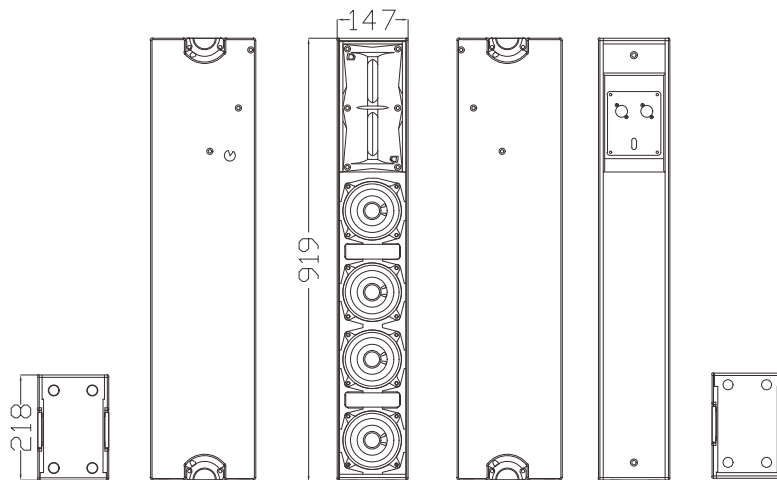
DLA-5

4x5" Line Array Column Speaker



SPECIFICATIONS

| | |
|--------------------------|---|
| Model: | DLA-5 |
| Type: | 4x5" Line Array Column Speaker |
| Unit Composition: | 4x5" (130mm) Neodymium woofer+2x1.4" (36mm) tweeter |
| Frequency Response: | 110Hz-20kHz (± 3 dB) |
| Sensitivity (1W/1m) : | 98dB |
| Max SPL (Continuous) : | 129dB |
| Rated Power: | 300W (AES) |
| Nominal Impedance: | 8 Ω |
| Coverage Angle (HxV) : | 130°x 20° (Adjustable 0 to -5°) |
| Wiring method: | 2x speakon NL4 |
| Mounting Accessories: | 4x Fixed buckle accessories |
| Enclosure Color: | Black |
| Dimensions (W x H x D) : | 147x 919 x 218mm |
| Weight (kg) : | 16.5 |



DLA-212SA

2x12寸有源超低频音箱



SPECIFICATIONS

| | |
|--------------------------|-------------------------------------|
| Model: | DLA-212SA |
| Type: | 2x12" Active Bass |
| Unit Composition: | 2x12" (300mm) Rubber-edge subwoofer |
| Frequency Response: | 38Hz-200Hz (± 3 dB) |
| Sensitivity (1W/1m) : | 96dB |
| Max SPL (Continuous) : | 131dB |
| Rated Power: | 800W (AES) |
| Nominal Impedance: | 4 Ω |
| Mounting Accessories: | 2x Fixed buckle accessories |
| Enclosure Color: | Black |
| Dimensions (W x H x D) : | 366 x 946 x 509mm |
| Weight (kg) : | 47.1 |

Power Module:

| | |
|---------------------------------|--|
| DSP: | 48K Sampling Frequency, 8-band Input EQ, 8-band Output EQ, LIMITER, 12/24/48dB Buterworth/Basel/Linkwitz-Riley Crossover; 20ms Delay for Input, 170ms Delay for Output |
| Rated Power (EIAJTHD=1%,1KHZ) : | 8 Ohms 1200W+1200W 4 Ohms 1800W+1800W |
| | THD+N (10%Rated Power) <1% IMD-SMPTE(10%Rated Power) <1% |
| Frequency Response: | -0.5dB 1dB 20-20KHz |
| Signal-to-Noise Ratio: | >92dB >95dB (A) |
| Power Voltage: | 220VAC 50/60HZ |

